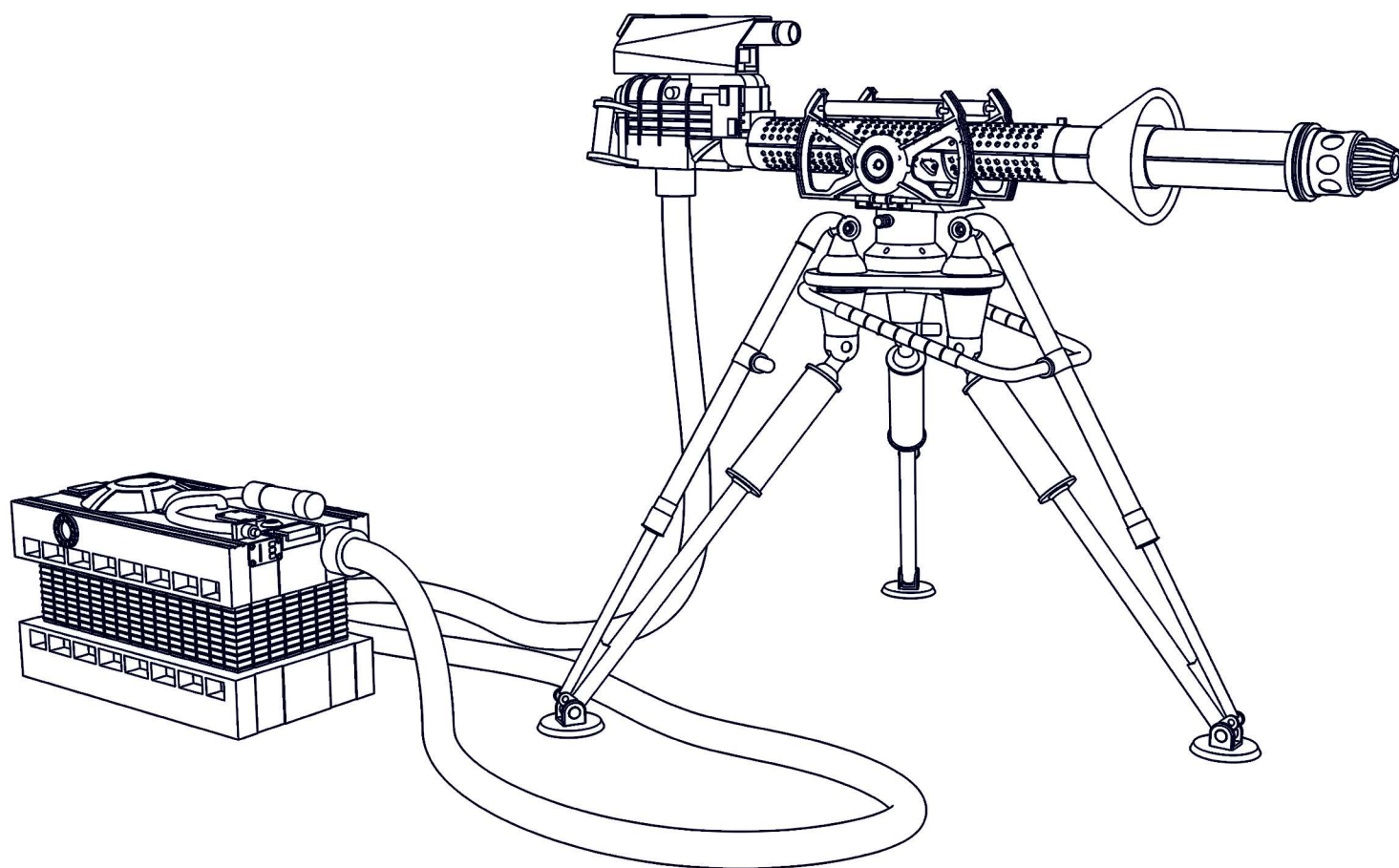
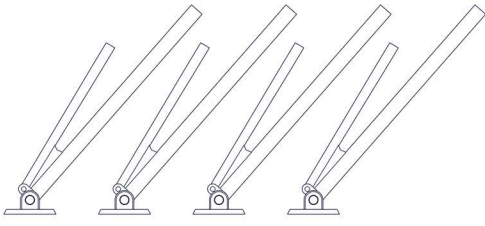


E-Web Repeating Blaster

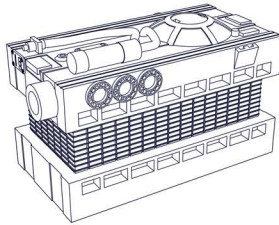


KG3D
CO

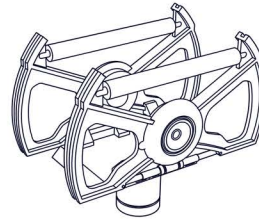
Kit Includes



4 x Legs (1 spare)



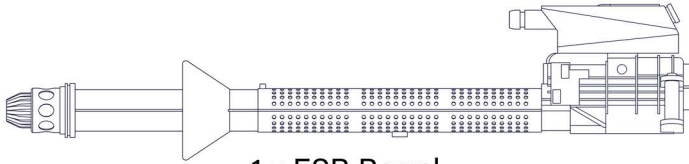
1 x Power Box



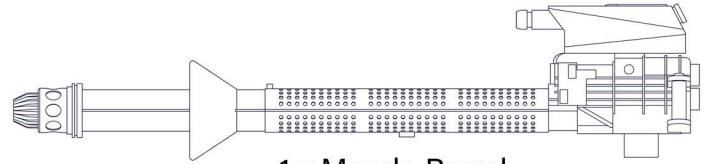
1 x Barrel Mount



2 x Barrel Cradles



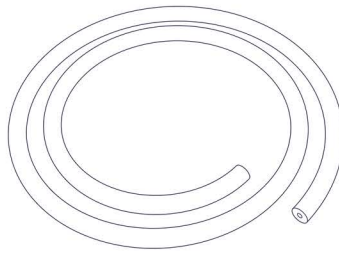
1 x ESB Barrel



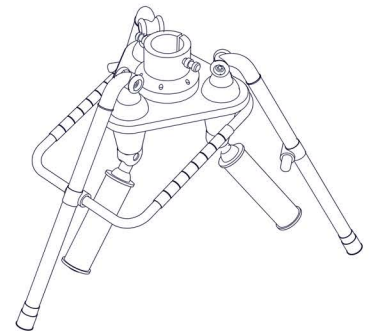
1 x Mando Barrel



1 x ESB Cable Mount



1 x Power Cable



1 x Tripod

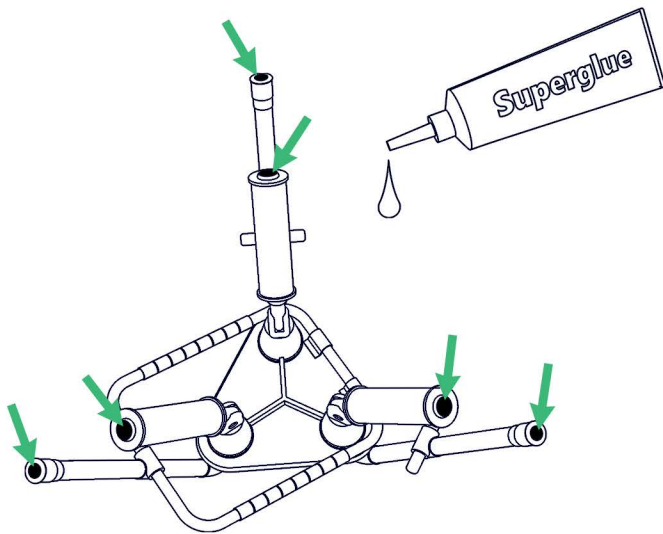
Welcome to the KG3D.co E-Web Repeating Blaster model kit. This is a 3D printed resin kit, and as such, requires superglue/cyanoacrilate to assemble some of the parts. The resin used is a more flexible resin than standard 3D printer resin, and is tougher. It has a bit of flex to it so it won't break as easily as standard resin. While this is designed to be used with 6-inch scale figures, I must stress that it is a MODEL kit and not a toy, and is designed primarily to be used in shelf displays.

Although it is not required, it is highly recommended to prime and paint your kit. airbrushing is recommended but any standard model paints should work. For the finished example, Vallejo gray airbrush primer and Testors Model Masters Gun Metal paint were used for the primary coat, then touched it up with silver and red accents. To top it off, a hobby syringe was used to place a small blob of clear UV epoxy resin in the end of the scope to simulate a lens.

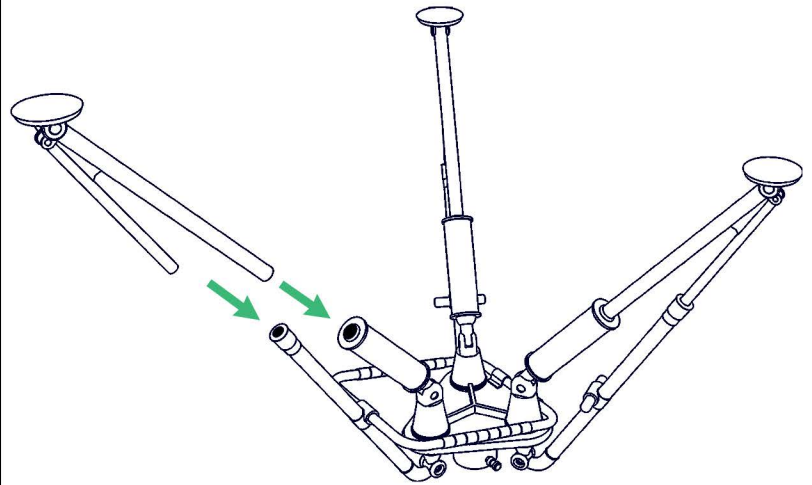
The kit can be used interchangeably in "ESB" configuration, with the power cable attached at the bottom of the tripod, or "Mando" configuration with the power cable attached to the bottom of the gun.

Thank you for your purchase! If you have any questions, you can contact me at kg3d.co.

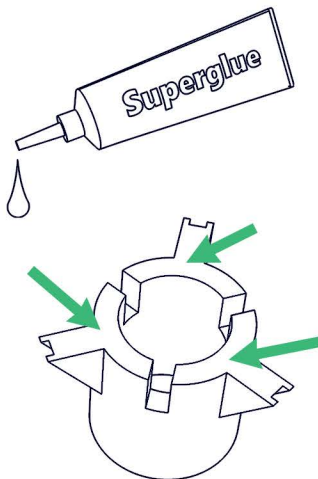
Step 1



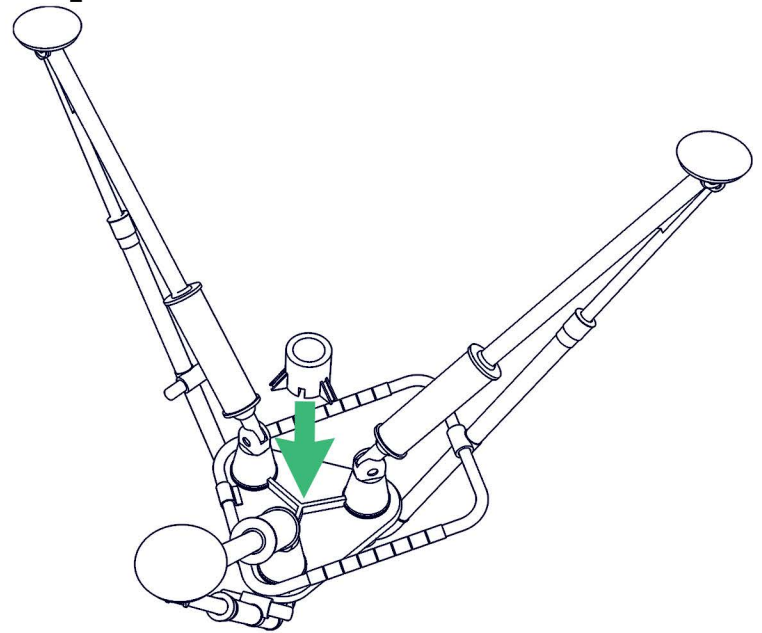
Step 2



Step 3



Step 4



Step 1. Apply a small amount of superglue gel in the 6 leg holes of the tripod.

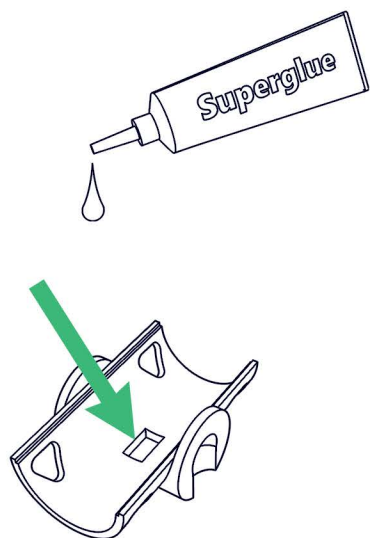
Step 2. Slide 3 legs into the holes as shown. The legs are flexible and will bend to fit in the holes.

Step 3. Apply a small amount of superglue gel to the ESB Cable Mount where shown.

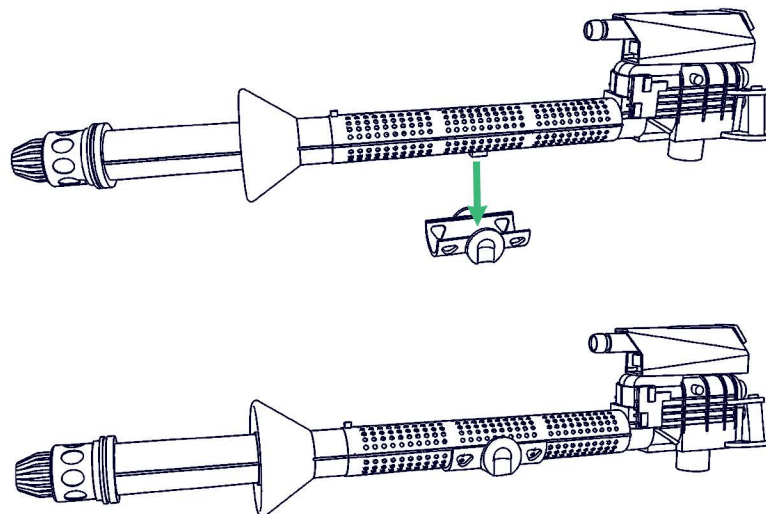
Step 4. Mount the ESB Cable Mount over the 3 ridge lines on the bottom of the tripod.

Set the tripod aside for now.

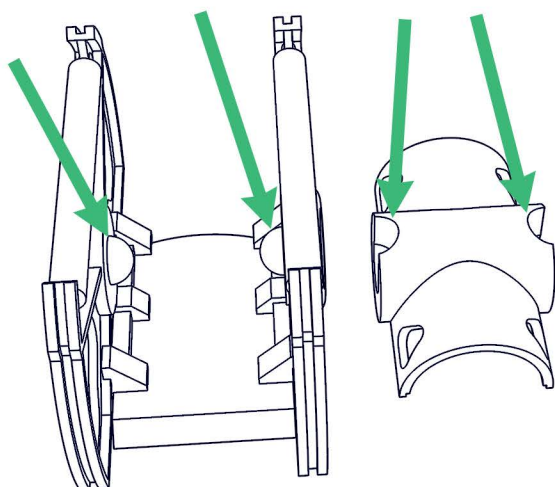
Step 5



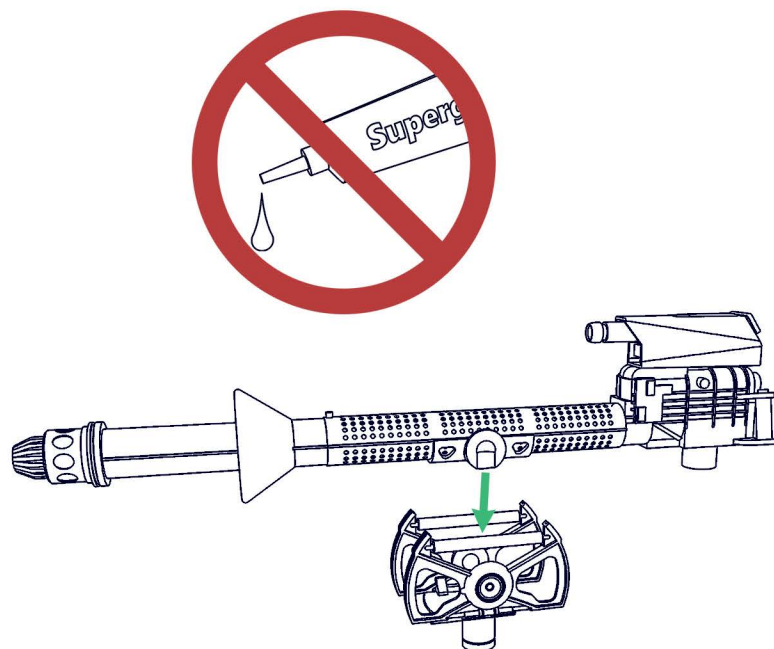
Step 6



Step 7



Step 8



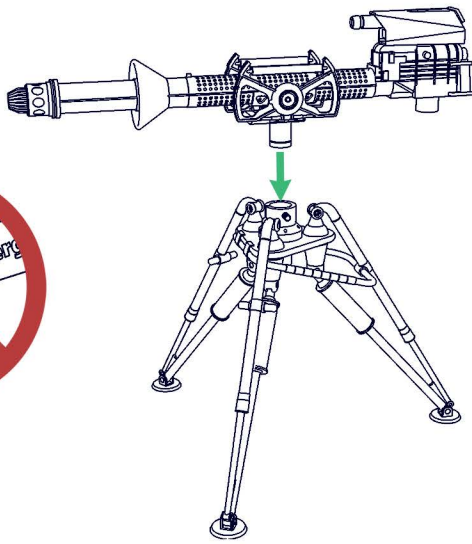
Step 5. Apply a small amount of superglue gel in the small recess inside and around the Barrel Cradle.

Step 6. Attach the Gun Barrel to the Barrel Cradle. Repeat steps 5 and 6 for the other barrel.

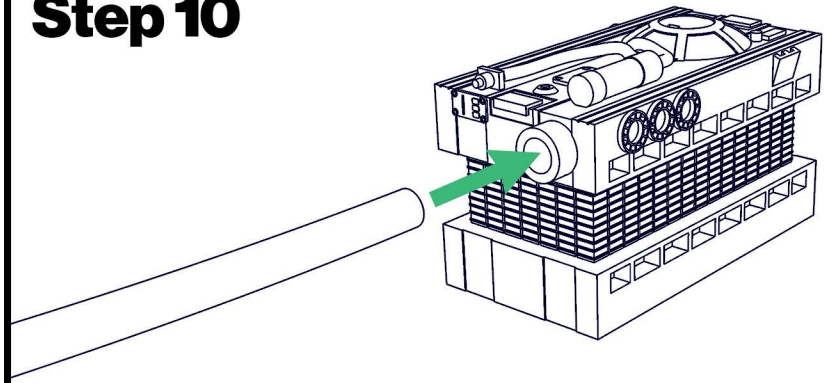
Step 7. Notice that the Gun Mount and Barrel Cradle have complimentary bumps and indents.

Step 8. Without using glue, slide the Gun Barrel/Cradle into the Mount. You will feel it sort of snap into place. To remove, pull slightly on the side of the mount, while gently twisting the barrel the other way.

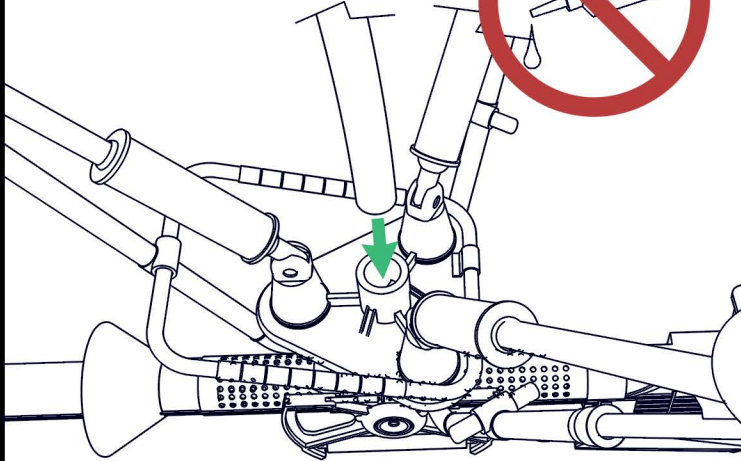
Step 9



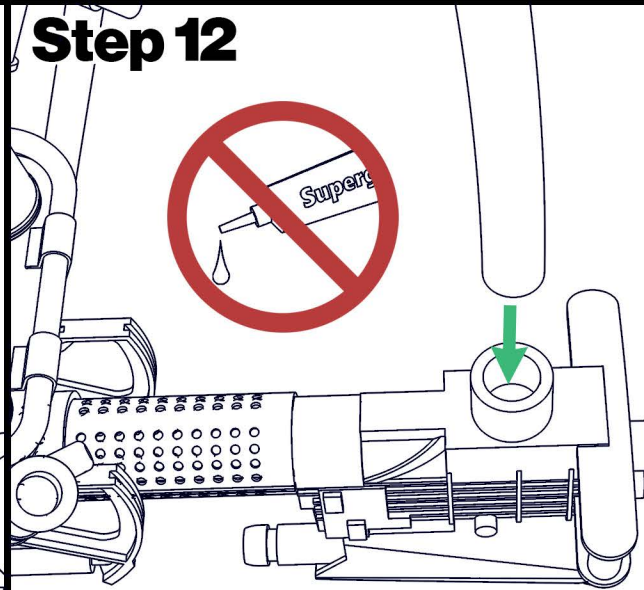
Step 10



Step 11



Step 12



Step 9. Without using glue, slide the assembled Gun and Mount into the top of the Tripod.

Step 10. Without using glue, insert one end of the Power Cable into the Power Box.

Step 11. For the "ESB" configuration, insert the other end of the Power Cable into the Cable Mount on the bottom of the Tripod, without using glue.

Step 12. For the "Mando" configuration, insert the other end of the Power Cable into the socket on the bottom of the Gun Barrel.

Congratulations!

The assembly of your E-Web Repeating Blaster kit is now complete. If you are going to paint your model, I recommend airbrushing or spray painting the primer and base colors, and using a brush for the details.

A note on the power cable: The cable is made of latex rubber. I do not recommend gluing the cable in, and it should not need it. Gluing the cable seems to cause the cable to attract dust.

I have put a lot of time into making this kit as durable and easy to assemble as possible, but I understand that accidents happen. If you accidentally break a part, or if something is missing or damaged, contact me on ebay and I will provide you a replacement part as soon as possible.

Again, Thank you for purchasing my model kit.

